



# SPEC CPU®2017 Floating Point Rate Result

Copyright 2017-2023 Standard Performance Evaluation Corporation

## Lenovo Global Technology

ThinkSystem SR635  
(2.00 GHz,AMD EPYC 7663P)

SPECrate®2017\_fp\_base = 296

SPECrate®2017\_fp\_peak = 297

CPU2017 License: 9017

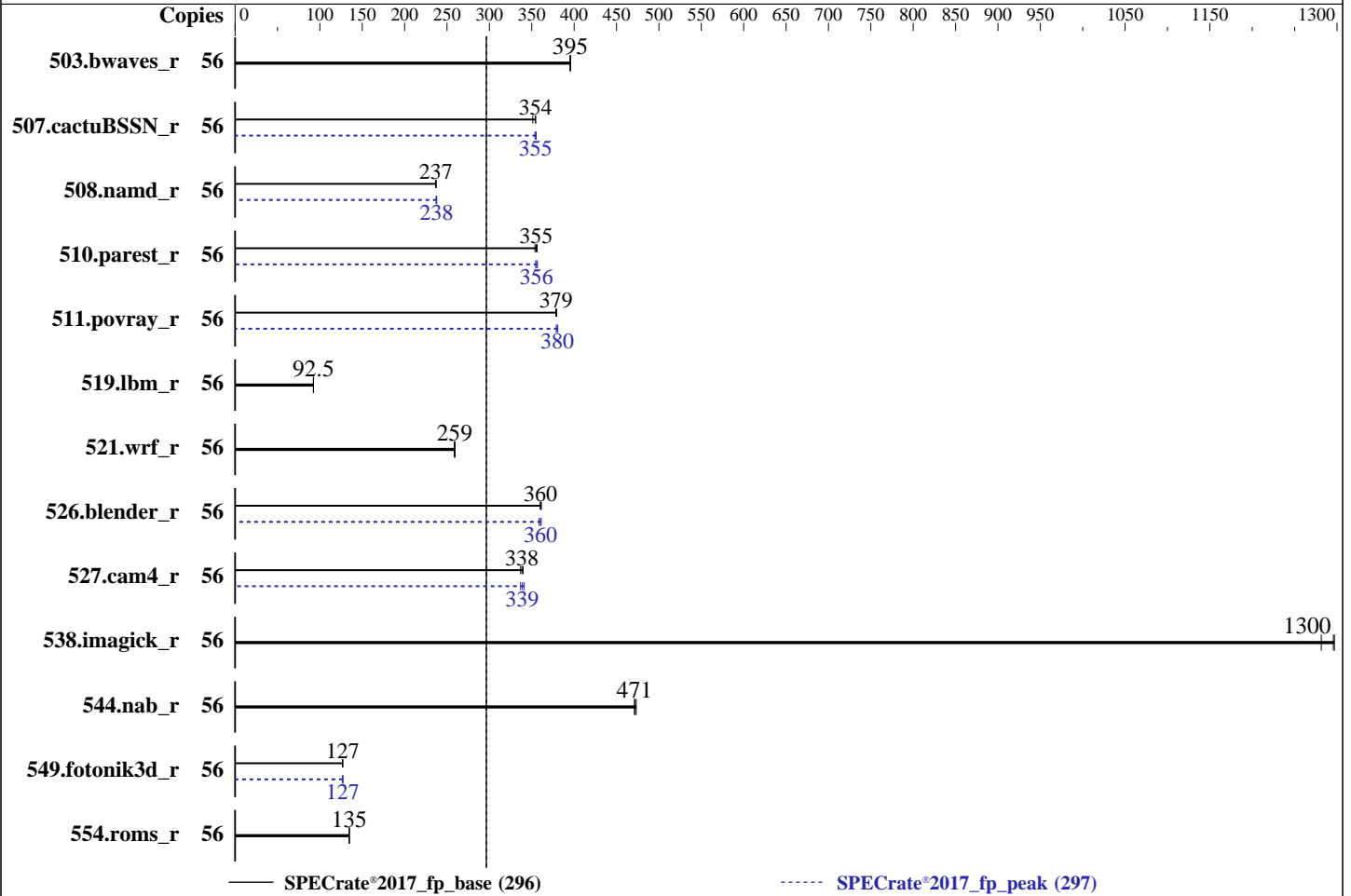
Test Sponsor: Lenovo Global Technology

Tested by: Lenovo Global Technology

Test Date: Jul-2023

Hardware Availability: Oct-2023

Software Availability: Jun-2023



### Hardware

CPU Name: AMD EPYC 7663P  
 Max MHz: 3500  
 Nominal: 2000  
 Enabled: 56 cores, 1 chip  
 Orderable: 1 chip  
 Cache L1: 32 KB I + 32 KB D on chip per core  
 L2: 512 KB I+D on chip per core  
 L3: 256 MB I+D on chip per chip,  
 32 MB shared / 7 cores  
 Other: None  
 Memory: 256 GB (8 x 32 GB 2Rx4 PC4-3200AA-R)  
 Storage: 1 x 960 GB SATA SSD  
 Other: None

### Software

OS: SUSE Linux Enterprise Server 15 SP5  
 Kernel 5.14.21-150500.53-default  
 Compiler: C/C++/Fortran: Version 3.2.0 of AOCC  
 Parallel: No  
 Firmware: Lenovo BIOS Version CFE137D 7.10 released Jun-2023  
 File System: xfs  
 System State: Run level 3 (multi-user)  
 Base Pointers: 64-bit  
 Peak Pointers: 64-bit  
 Other: jemalloc: jemalloc memory allocator library v5.1.0  
 Power Management: BIOS and OS set to prefer performance at the cost of additional power usage



# SPEC CPU®2017 Floating Point Rate Result

Copyright 2017-2023 Standard Performance Evaluation Corporation

## Lenovo Global Technology

ThinkSystem SR635  
(2.00 GHz,AMD EPYC 7663P)

SPECrate®2017\_fp\_base = 296

SPECrate®2017\_fp\_peak = 297

**CPU2017 License:** 9017  
**Test Sponsor:** Lenovo Global Technology  
**Tested by:** Lenovo Global Technology

**Test Date:** Jul-2023  
**Hardware Availability:** Oct-2023  
**Software Availability:** Jun-2023

## Results Table

Benchmark	Base						Peak							
	Copies	Seconds	Ratio	Seconds	Ratio	Ratio	Copies	Seconds	Ratio	Seconds	Ratio	Ratio	Seconds	Ratio
503.bwaves_r	56	1419	396	1421	395	<b><u>1420</u></b>	<b><u>395</u></b>	56	1419	396	1421	395	<b><u>1420</u></b>	<b><u>395</u></b>
507.cactuBSSN_r	56	200	355	202	351	<b><u>200</u></b>	<b><u>354</u></b>	56	<b><u>200</u></b>	<b><u>355</u></b>	200	354	200	355
508.namd_r	56	224	237	225	237	<b><u>225</u></b>	<b><u>237</u></b>	56	224	237	<b><u>224</u></b>	<b><u>238</u></b>	224	238
510.parest_r	56	411	356	<b><u>413</u></b>	<b><u>355</u></b>	414	354	56	411	357	<b><u>412</u></b>	<b><u>356</u></b>	413	355
511.povray_r	56	345	379	345	379	<b><u>345</u></b>	<b><u>379</u></b>	56	345	379	343	381	<b><u>344</u></b>	<b><u>380</u></b>
519.lbm_r	56	639	92.4	638	92.5	<b><u>638</u></b>	<b><u>92.5</u></b>	56	639	92.4	638	92.5	<b><u>638</u></b>	<b><u>92.5</u></b>
521.wrf_r	56	483	259	485	259	<b><u>484</u></b>	<b><u>259</u></b>	56	483	259	485	259	<b><u>484</u></b>	<b><u>259</u></b>
526.blender_r	56	236	361	<b><u>237</u></b>	<b><u>360</u></b>	237	360	56	238	359	236	361	<b><u>237</u></b>	<b><u>360</u></b>
527.cam4_r	56	<b><u>289</u></b>	<b><u>338</u></b>	291	337	288	340	56	291	337	287	341	<b><u>289</u></b>	<b><u>339</u></b>
538.imagick_r	56	107	1300	<b><u>107</u></b>	<b><u>1300</u></b>	109	1280	56	107	1300	<b><u>107</u></b>	<b><u>1300</u></b>	109	1280
544.nab_r	56	199	473	<b><u>200</u></b>	<b><u>471</u></b>	200	471	56	199	473	<b><u>200</u></b>	<b><u>471</u></b>	200	471
549.fotonik3d_r	56	<b><u>1720</u></b>	<b><u>127</u></b>	1720	127	1720	127	56	1718	127	1718	127	<b><u>1718</u></b>	<b><u>127</u></b>
554.roms_r	56	660	135	<b><u>661</u></b>	<b><u>135</u></b>	662	134	56	660	135	<b><u>661</u></b>	<b><u>135</u></b>	662	134

SPECrate®2017\_fp\_base = **296**

SPECrate®2017\_fp\_peak = **297**

Results appear in the order in which they were run. Bold underlined text indicates a median measurement.

## Compiler Notes

The AMD64 AOCC Compiler Suite is available at  
<http://developer.amd.com/amd-aocc/>

## Submit Notes

The config file option 'submit' was used.  
'numactl' was used to bind copies to the cores.  
See the configuration file for details.

## Operating System Notes

'ulimit -s unlimited' was used to set environment stack size limit  
'ulimit -l 2097152' was used to set environment locked pages in memory limit

runcpu command invoked through numactl i.e.:  
numactl --interleave=all runcpu <etc>

To limit dirty cache to 8% of memory, 'sysctl -w vm.dirty\_ratio=8' run as root.  
To limit swap usage to minimum necessary, 'sysctl -w vm.swappiness=1' run as root.  
To free node-local memory and avoid remote memory usage,  
'sysctl -w vm.zone\_reclaim\_mode=1' run as root.  
To clear filesystem caches, 'sync; sysctl -w vm.drop\_caches=3' run as root.  
To disable address space layout randomization (ASLR) to reduce run-to-run  
variability, 'sysctl -w kernel.randomize\_va\_space=0' run as root.

To enable Transparent Hugepages (THP) for all allocations,  
'echo always > /sys/kernel/mm/transparent\_hugepage/enabled' and  
'echo always > /sys/kernel/mm/transparent\_hugepage/defrag' run as root.



# SPEC CPU®2017 Floating Point Rate Result

Copyright 2017-2023 Standard Performance Evaluation Corporation

## Lenovo Global Technology

ThinkSystem SR635  
(2.00 GHz,AMD EPYC 7663P)

SPECrate®2017\_fp\_base = 296

SPECrate®2017\_fp\_peak = 297

**CPU2017 License:** 9017

**Test Sponsor:** Lenovo Global Technology

**Tested by:** Lenovo Global Technology

**Test Date:** Jul-2023

**Hardware Availability:** Oct-2023

**Software Availability:** Jun-2023

## Environment Variables Notes

Environment variables set by runcpu before the start of the run:

```
LD_LIBRARY_PATH =
"/home/cpu2017-1.1.9-amd-milanx-aocc320-A1/amd_rate_aocc320_milanx_A_lib/lib;/home/cpu2017-1.1.9-amd-m
ilanx-aocc320-A1/amd_rate_aocc320_milanx_A_lib/lib32:"
MALLOC_CONF = "retain:true"
```

## General Notes

Binaries were compiled on a system with 2x AMD EPYC 7742 CPU + 1TiB Memory using OpenSUSE 15.2

NA: The test sponsor attests, as of date of publication, that CVE-2017-5754 (Meltdown) is mitigated in the system as tested and documented.

Yes: The test sponsor attests, as of date of publication, that CVE-2017-5753 (Spectre variant 1) is mitigated in the system as tested and documented.

Yes: The test sponsor attests, as of date of publication, that CVE-2017-5715 (Spectre variant 2) is mitigated in the system as tested and documented.

jemalloc: configured and built with GCC v4.8.2 in RHEL 7.4 (No options specified)

jemalloc 5.1.0 is available here:

<https://github.com/jemalloc/jemalloc/releases/download/5.1.0/jemalloc-5.1.0.tar.bz2>

## Platform Notes

BIOS configuration:

Choose Operating Mode set to Maximum Performance

NUMA nodes per socket set to NPS4

L1 Stream HW Prefetcher set to Disabled

LLC as NUMA Node set to Enabled

Memory interleaving set to Disabled

SMT Mode set to Disabled

Sysinfo program /home/cpu2017-1.1.9-amd-milanx-aocc320-A1/bin/sysinfo

Rev: r6732 of 2022-11-07 fe91c89b7ed5c36ae2c92cc097bec197

running on localhost Wed Jul 19 09:52:06 2023

SUT (System Under Test) info as seen by some common utilities.

-----  
Table of contents  
-----

1. uname -a
2. w
3. Username
4. ulimit -a
5. sysinfo process ancestry
6. /proc/cpuinfo
7. lscpu
8. numactl --hardware
9. /proc/meminfo
10. who -r
11. Systemd service manager version: systemd 249 (249.16+suse.171.gdad0071f15)
12. Services, from systemctl list-unit-files
13. Linux kernel boot-time arguments, from /proc/cmdline
14. cpupower frequency-info
15. sysctl
16. /sys/kernel/mm/transparent\_hugepage

(Continued on next page)



# SPEC CPU®2017 Floating Point Rate Result

Copyright 2017-2023 Standard Performance Evaluation Corporation

## Lenovo Global Technology

ThinkSystem SR635  
(2.00 GHz,AMD EPYC 7663P)

SPECrate®2017\_fp\_base = 296

SPECrate®2017\_fp\_peak = 297

**CPU2017 License:** 9017

**Test Sponsor:** Lenovo Global Technology

**Tested by:** Lenovo Global Technology

**Test Date:** Jul-2023

**Hardware Availability:** Oct-2023

**Software Availability:** Jun-2023

### Platform Notes (Continued)

```

17. /sys/kernel/mm/transparent_hugepage/khugepaged
18. OS release
19. Disk information
20. /sys/devices/virtual/dmi/id
21. dmidecode
22. BIOS

```

```

-----
1. uname -a
Linux localhost 5.14.21-150500.53-default #1 SMP PREEMPT_DYNAMIC Wed May 10 07:56:26 UTC 2023 (b630043)
x86_64 x86_64 x86_64 GNU/Linux

```

```

-----
2. w
 09:52:06 up 7 min,  1 user,  load average: 0.15, 0.03, 0.01
USER      TTY      FROM          LOGIN@   IDLE   JCPU   PCPU WHAT
root      tty1    -             09:44   13.00s  1.18s  0.04s /bin/bash ./amd_rate_aocc320_milanx_A1.sh

```

```

-----
3. Username
From environment variable $USER:  root

```

```

-----
4. ulimit -a
core file size          (blocks, -c) unlimited
data seg size           (kbytes, -d) unlimited
scheduling priority     (-e) 0
file size                (blocks, -f) unlimited
pending signals         (-i) 1026713
max locked memory       (kbytes, -l) 2097152
max memory size         (kbytes, -m) unlimited
open files               (-n) 1024
pipe size                (512 bytes, -p) 8
POSIX message queues    (bytes, -q) 819200
real-time priority      (-r) 0
stack size              (kbytes, -s) unlimited
cpu time                 (seconds, -t) unlimited
max user processes      (-u) 1026713
virtual memory           (kbytes, -v) unlimited
file locks               (-x) unlimited

```

```

-----
5. sysinfo process ancestry
/usr/lib/systemd/systemd --switched-root --system --deserialize 30
login -- root
-bash
/bin/bash ./speccpu_milanX.sh
/bin/bash ./Run026-compliant-amd-ratefp.sh
python3 ./run_amd_rate_aocc320_milanx_A1.py
/bin/bash ./amd_rate_aocc320_milanx_A1.sh
runcpu --config amd_rate_aocc320_milanx_A1.cfg --tune all --reportable --iterations 3 fprate
runcpu --configfile amd_rate_aocc320_milanx_A1.cfg --tune all --reportable --iterations 3 --nopower
--runmode rate --tune base:peak --size test:train:refrate fprate --nopreenv --note-preenv --logfile
$SPEC/tmp/CPU2017.047/templogs/preenv.fprate.047.0.log --lognum 047.0 --from_runcpu 2
specperl $SPEC/bin/sysinfo
$SPEC = /home/cpu2017-1.1.9-amd-milanx-aocc320-A1

```

```

-----
6. /proc/cpuinfo

```

(Continued on next page)



# SPEC CPU®2017 Floating Point Rate Result

Copyright 2017-2023 Standard Performance Evaluation Corporation

## Lenovo Global Technology

ThinkSystem SR635  
(2.00 GHz,AMD EPYC 7663P)

SPECrate®2017\_fp\_base = 296

SPECrate®2017\_fp\_peak = 297

**CPU2017 License:** 9017  
**Test Sponsor:** Lenovo Global Technology  
**Tested by:** Lenovo Global Technology

**Test Date:** Jul-2023  
**Hardware Availability:** Oct-2023  
**Software Availability:** Jun-2023

### Platform Notes (Continued)

```
model name      : AMD EPYC 7663P 56-Core Processor
vendor_id       : AuthenticAMD
cpu family      : 25
model           : 1
stepping        : 1
microcode       : 0xa0011ce
bugs            : sysret_ss_attrs spectre_v1 spectre_v2 spec_store_bypass
TLB size        : 2560 4K pages
cpu cores       : 56
siblings        : 56
1 physical ids (chips)
56 processors (hardware threads)
physical id 0:  core ids 0-6,8-14,16-22,24-30,32-38,40-46,48-54,56-62
physical id 0:  apicids 0-6,8-14,16-22,24-30,32-38,40-46,48-54,56-62
```

Caution: /proc/cpuinfo data regarding chips, cores, and threads is not necessarily reliable, especially for virtualized systems. Use the above data carefully.

#### 7. lscpu

From lscpu from util-linux 2.37.4:

```
Architecture:          x86_64
CPU op-mode(s):        32-bit, 64-bit
Address sizes:         48 bits physical, 48 bits virtual
Byte Order:            Little Endian
CPU(s):                56
On-line CPU(s) list:  0-55
Vendor ID:             AuthenticAMD
Model name:            AMD EPYC 7663P 56-Core Processor
CPU family:            25
Model:                 1
Thread(s) per core:   1
Core(s) per socket:   56
Socket(s):             1
Stepping:              1
Frequency boost:       enabled
CPU max MHz:           3541.0149
CPU min MHz:           1500.0000
BogoMIPS:              3992.40
Flags:                 fpu vme de pse tsc msr pae mce cx8 apic sep mtrr pge mca cmov pat pse36
                        clflush mmx fxsr sse sse2 ht syscall nx mmxext fxsr_opt pdpe1gb rdtscp lm
                        constant_tsc rep_good nopl nonstop_tsc cpuid extd_apicid aperfmperf rapl
                        pni pclmulqdq monitor ssse3 fma cx16 pcid sse4_1 sse4_2 movbe popcnt aes
                        xsave avx fl6c rdrand lahf_lm cmp_legacy svm extapic cr8_legacy abm sse4a
                        misalignsse 3dnowprefetch osvw ibs skinit wdt tce topoext perfctr_core
                        perfctr_nb bpext perfctr_llc mwaitx cpb cat_l3 cdp_l3 invpcid_single
                        hw_pstate ssbd mba ibrs ibpb stibp vmmcall fsgsbase bmi1 avx2 smep bmi2
                        invpcid cqm rdt_a rdseed adx smap clflushopt clwb sha_ni xsaveopt xsavec
                        xgetbv1 xsaves cqm_llc cqm_occup_llc cqm_mbm_total cqm_mbm_local clzero
                        irperf xsaveerptr rdpru wbnoinvd amd_ppin brs arat npt lbrv svm_lock
                        nrip_save tsc_scale vmcb_clean flushbyasid decodeassists pausefilter
                        pfthreshold v_vmsave_vmload vgif v_spec_ctrl umip pku ospke vaes
                        vpclmulqdq rdpid overflow_recov succor smca
Virtualization:        AMD-V
L1d cache:             1.8 MiB (56 instances)
L1i cache:             1.8 MiB (56 instances)
L2 cache:              28 MiB (56 instances)
L3 cache:              256 MiB (8 instances)
NUMA node(s):         8
NUMA node0 CPU(s):    0-6
```

(Continued on next page)



# SPEC CPU®2017 Floating Point Rate Result

Copyright 2017-2023 Standard Performance Evaluation Corporation

## Lenovo Global Technology

SPECrate®2017\_fp\_base = 296

ThinkSystem SR635  
(2.00 GHz,AMD EPYC 7663P)

SPECrate®2017\_fp\_peak = 297

CPU2017 License: 9017

Test Date: Jul-2023

Test Sponsor: Lenovo Global Technology

Hardware Availability: Oct-2023

Tested by: Lenovo Global Technology

Software Availability: Jun-2023

### Platform Notes (Continued)

```

NUMA node1 CPU(s):          7-13
NUMA node2 CPU(s):          14-20
NUMA node3 CPU(s):          21-27
NUMA node4 CPU(s):          28-34
NUMA node5 CPU(s):          35-41
NUMA node6 CPU(s):          42-48
NUMA node7 CPU(s):          49-55
Vulnerability Itlb multihit: Not affected
Vulnerability L1tf:         Not affected
Vulnerability Mds:          Not affected
Vulnerability Meltdown:     Not affected
Vulnerability Mmio stale data: Not affected
Vulnerability Retbleed:     Not affected
Vulnerability Spec store bypass: Mitigation; Speculative Store Bypass disabled via prctl and seccomp
Vulnerability Spectre v1:    Mitigation; usercopy/swapgs barriers and __user pointer sanitization
Vulnerability Spectre v2:    Mitigation; Retpolines, IBPB conditional, IBRS_FW, STIBP disabled, RSB
                               filling, PBR SB-eIBRS Not affected
Vulnerability Srbds:         Not affected
Vulnerability Tsx async abort: Not affected

```

From lscpu --cache:

NAME	ONE-SIZE	ALL-SIZE	WAYS	TYPE	LEVEL	SETS	PHY-LINE	COHERENCY-SIZE
L1d	32K	1.8M	8	Data	1	64	1	64
L1i	32K	1.8M	8	Instruction	1	64	1	64
L2	512K	28M	8	Unified	2	1024	1	64
L3	32M	256M	16	Unified	3	32768	1	64

8. numactl --hardware

NOTE: a numactl 'node' might or might not correspond to a physical chip.

```

available: 8 nodes (0-7)
node 0 cpus: 0-6
node 0 size: 30991 MB
node 0 free: 30674 MB
node 1 cpus: 7-13
node 1 size: 32252 MB
node 1 free: 32020 MB
node 2 cpus: 14-20
node 2 size: 32254 MB
node 2 free: 32047 MB
node 3 cpus: 21-27
node 3 size: 32253 MB
node 3 free: 32065 MB
node 4 cpus: 28-34
node 4 size: 32254 MB
node 4 free: 32060 MB
node 5 cpus: 35-41
node 5 size: 32218 MB
node 5 free: 32028 MB
node 6 cpus: 42-48
node 6 size: 32254 MB
node 6 free: 32077 MB
node 7 cpus: 49-55
node 7 size: 32231 MB
node 7 free: 32061 MB
node distances:
node  0  1  2  3  4  5  6  7
0:  10  11  12  12  12  12  12  12
1:  11  10  12  12  12  12  12  12
2:  12  12  10  11  12  12  12  12

```

(Continued on next page)



# SPEC CPU®2017 Floating Point Rate Result

Copyright 2017-2023 Standard Performance Evaluation Corporation

## Lenovo Global Technology

ThinkSystem SR635  
(2.00 GHz,AMD EPYC 7663P)

SPECrate®2017\_fp\_base = 296

SPECrate®2017\_fp\_peak = 297

**CPU2017 License:** 9017  
**Test Sponsor:** Lenovo Global Technology  
**Tested by:** Lenovo Global Technology

**Test Date:** Jul-2023  
**Hardware Availability:** Oct-2023  
**Software Availability:** Jun-2023

### Platform Notes (Continued)

3:	12	12	11	10	12	12	12	12
4:	12	12	12	12	10	11	12	12
5:	12	12	12	12	11	10	12	12
6:	12	12	12	12	12	12	10	11
7:	12	12	12	12	12	12	11	10

-----  
 9. /proc/meminfo  
 MemTotal: 262870184 kB  
 -----

10. who -r  
 run-level 3 Jul 19 09:44  
 -----

11. Systemd service manager version: systemd 249 (249.16+suse.171.gdad0071f15)  
 Default Target Status  
 multi-user running  
 -----

12. Services, from systemctl list-unit-files

STATE	UNIT FILES
enabled	YaST2-Firstboot YaST2-Second-Stage apparmor auditd cron getty@ irqbalance issue-generator kbdsettings klog lvm2-monitor nscd postfix purge-kernels rollback rsyslog smartd sshd systemd-pstore wicked wickedd-auto4 wickedd-dhcp4 wickedd-dhcp6 wickedd-nanny
enabled-runtime	systemd-remount-fs
disabled	autofs autoyast-initscripts blk-availability boot-sysctl ca-certificates chrony-wait chronyd console-getty cups cups-browsed debug-shell ebttables exchange-bmc-os-info firewallld gpm grub2-once haveged haveged-switch-root ipmi ipmievd issue-add-ssh-keys kexec-load lunmask man-db-create multipathd nfs nfs-blkmap nmb rpcbind rpmconfigcheck rsyncd serial-getty@ smartd_generate_opts smb snmpd snmptrapd systemd-boot-check-no-failures systemd-network-generator systemd-sysext systemd-time-wait-sync systemd-timesyncd
generated	ntp_sync
indirect	wickedd

-----

13. Linux kernel boot-time arguments, from /proc/cmdline  
 BOOT\_IMAGE=/boot/vmlinuz-5.14.21-150500.53-default  
 root=UUID=52d7c982-f59a-45be-a5d3-ac137bfab34b  
 splash=silent  
 mitigations=auto  
 quiet  
 security=apparmor  
 -----

14. cpupower frequency-info  
 analyzing CPU 0:  
 current policy: frequency should be within 1.50 GHz and 2.00 GHz.  
 The governor "performance" may decide which speed to use  
 within this range.  
 boost state support:  
 Supported: yes  
 Active: yes  
 -----

15. sysctl

kernel.numa_balancing	1
kernel.randomize_va_space	0
vm.compaction_proactiveness	20

(Continued on next page)



# SPEC CPU®2017 Floating Point Rate Result

Copyright 2017-2023 Standard Performance Evaluation Corporation

## Lenovo Global Technology

ThinkSystem SR635  
(2.00 GHz,AMD EPYC 7663P)

SPECrate®2017\_fp\_base = 296

SPECrate®2017\_fp\_peak = 297

**CPU2017 License:** 9017  
**Test Sponsor:** Lenovo Global Technology  
**Tested by:** Lenovo Global Technology

**Test Date:** Jul-2023  
**Hardware Availability:** Oct-2023  
**Software Availability:** Jun-2023

### Platform Notes (Continued)

```

vm.dirty_background_bytes      0
vm.dirty_background_ratio     10
vm.dirty_bytes                 0
vm.dirty_expire_centisecs     3000
vm.dirty_ratio                 8
vm.dirty_writeback_centisecs  500
vm.dirtytime_expire_seconds   43200
vm.extfrag_threshold          500
vm.min_unmapped_ratio         1
vm.nr_hugepages                0
vm.nr_hugepages_mempolicy     0
vm.nr_overcommit_hugepages    0
vm.swappiness                  1
vm.watermark_boost_factor     15000
vm.watermark_scale_factor     10
vm.zone_reclaim_mode          1

```

```

-----
16. /sys/kernel/mm/transparent_hugepage
defrag      [always] defer defer+madvise madvise never
enabled     [always] madvise never
hpage_pmd_size  2097152
shmem_enabled  always within_size advise [never] deny force

```

```

-----
17. /sys/kernel/mm/transparent_hugepage/khugepaged
alloc_sleep_millisecs  60000
defrag                  1
max_ptes_none          511
max_ptes_shared        256
max_ptes_swap          64
pages_to_scan          4096
scan_sleep_millisecs   10000

```

```

-----
18. OS release
From /etc/*-release /etc/*-version
os-release SUSE Linux Enterprise Server 15 SP5

```

```

-----
19. Disk information
SPEC is set to: /home/cpu2017-1.1.9-amd-milanx-aocc320-A1
Filesystem      Type  Size  Used Avail Use% Mounted on
/dev/md126p3    xfs   892G   25G  867G   3% /

```

```

-----
20. /sys/devices/virtual/dmi/id
Vendor:          Lenovo
Product:         ThinkSystem SR635  -[7Y98XXXXXX]-
Product Family: ThinkSystem
Serial:          0123456789

```

```

-----
21. dmidecode
Additional information from dmidecode 3.4 follows.  WARNING: Use caution when you interpret this section.
The 'dmidecode' program reads system data which is "intended to allow hardware to be accurately
determined", but the intent may not be met, as there are frequent changes to hardware, firmware, and the
"DMTF SMBIOS" standard.
Memory:
  8x Samsung M393A4K40DB3-CWE 32 GB 2 rank 3200

```

(Continued on next page)





# SPEC CPU®2017 Floating Point Rate Result

Copyright 2017-2023 Standard Performance Evaluation Corporation

## Lenovo Global Technology

ThinkSystem SR635  
(2.00 GHz,AMD EPYC 7663P)

SPECrate®2017\_fp\_base = 296

SPECrate®2017\_fp\_peak = 297

**CPU2017 License:** 9017  
**Test Sponsor:** Lenovo Global Technology  
**Tested by:** Lenovo Global Technology

**Test Date:** Jul-2023  
**Hardware Availability:** Oct-2023  
**Software Availability:** Jun-2023

### Platform Notes (Continued)

-----  
22. BIOS  
(This section combines info from /sys/devices and dmidecode.)  
BIOS Vendor: Lenovo  
BIOS Version: CFE137D  
BIOS Date: 06/28/2023  
BIOS Revision: 7.10

### Compiler Version Notes

=====  
C | 519.lbm\_r(base, peak) 538.imagick\_r(base, peak) 544.nab\_r(base, peak)

-----  
AMD clang version 13.0.0 (CLANG: AOCC\_3.2.0-Build#128 2021\_11\_12) (based on LLVM Mirror.Version.13.0.0)  
Target: x86\_64-unknown-linux-gnu  
Thread model: posix  
InstalledDir: /opt/AMD/aocc-compiler-3.2.0/bin

=====  
C++ | 508.namd\_r(base, peak) 510.parest\_r(base, peak)

-----  
AMD clang version 13.0.0 (CLANG: AOCC\_3.2.0-Build#128 2021\_11\_12) (based on LLVM Mirror.Version.13.0.0)  
Target: x86\_64-unknown-linux-gnu  
Thread model: posix  
InstalledDir: /opt/AMD/aocc-compiler-3.2.0/bin

=====  
C++, C | 511.povray\_r(base, peak) 526.blender\_r(base, peak)

-----  
AMD clang version 13.0.0 (CLANG: AOCC\_3.2.0-Build#128 2021\_11\_12) (based on LLVM Mirror.Version.13.0.0)  
Target: x86\_64-unknown-linux-gnu  
Thread model: posix  
InstalledDir: /opt/AMD/aocc-compiler-3.2.0/bin  
AMD clang version 13.0.0 (CLANG: AOCC\_3.2.0-Build#128 2021\_11\_12) (based on LLVM Mirror.Version.13.0.0)  
Target: x86\_64-unknown-linux-gnu  
Thread model: posix  
InstalledDir: /opt/AMD/aocc-compiler-3.2.0/bin

=====  
C++, C, Fortran | 507.cactuBSSN\_r(base, peak)

-----  
AMD clang version 13.0.0 (CLANG: AOCC\_3.2.0-Build#128 2021\_11\_12) (based on LLVM Mirror.Version.13.0.0)  
Target: x86\_64-unknown-linux-gnu  
Thread model: posix  
InstalledDir: /opt/AMD/aocc-compiler-3.2.0/bin  
AMD clang version 13.0.0 (CLANG: AOCC\_3.2.0-Build#128 2021\_11\_12) (based on LLVM Mirror.Version.13.0.0)  
Target: x86\_64-unknown-linux-gnu  
Thread model: posix  
InstalledDir: /opt/AMD/aocc-compiler-3.2.0/bin  
AMD clang version 13.0.0 (CLANG: AOCC\_3.2.0-Build#128 2021\_11\_12) (based on LLVM Mirror.Version.13.0.0)  
Target: x86\_64-unknown-linux-gnu  
Thread model: posix  
InstalledDir: /opt/AMD/aocc-compiler-3.2.0/bin

(Continued on next page)



# SPEC CPU®2017 Floating Point Rate Result

Copyright 2017-2023 Standard Performance Evaluation Corporation

**Lenovo Global Technology**

ThinkSystem SR635  
(2.00 GHz,AMD EPYC 7663P)

SPECrate®2017\_fp\_base = 296

SPECrate®2017\_fp\_peak = 297

**CPU2017 License:** 9017  
**Test Sponsor:** Lenovo Global Technology  
**Tested by:** Lenovo Global Technology

**Test Date:** Jul-2023  
**Hardware Availability:** Oct-2023  
**Software Availability:** Jun-2023

## Compiler Version Notes (Continued)

-----  
Fortran | 503.bwaves\_r(base, peak) 549.fotonik3d\_r(base, peak) 554.roms\_r(base, peak)  
-----

AMD clang version 13.0.0 (CLANG: AOCC\_3.2.0-Build#128 2021\_11\_12) (based on LLVM Mirror.Version.13.0.0)  
Target: x86\_64-unknown-linux-gnu  
Thread model: posix  
InstalledDir: /opt/AMD/aocc-compiler-3.2.0/bin  
-----

-----  
Fortran, C | 521.wrf\_r(base, peak) 527.cam4\_r(base, peak)  
-----

AMD clang version 13.0.0 (CLANG: AOCC\_3.2.0-Build#128 2021\_11\_12) (based on LLVM Mirror.Version.13.0.0)  
Target: x86\_64-unknown-linux-gnu  
Thread model: posix  
InstalledDir: /opt/AMD/aocc-compiler-3.2.0/bin  
AMD clang version 13.0.0 (CLANG: AOCC\_3.2.0-Build#128 2021\_11\_12) (based on LLVM Mirror.Version.13.0.0)  
Target: x86\_64-unknown-linux-gnu  
Thread model: posix  
InstalledDir: /opt/AMD/aocc-compiler-3.2.0/bin  
-----

## Base Compiler Invocation

C benchmarks:

clang

C++ benchmarks:

clang++

Fortran benchmarks:

flang

Benchmarks using both Fortran and C:

flang clang

Benchmarks using both C and C++:

clang++ clang

Benchmarks using Fortran, C, and C++:

clang++ clang flang

## Base Portability Flags

503.bwaves\_r: -DSPEC\_LP64  
507.cactuBSSN\_r: -DSPEC\_LP64

(Continued on next page)



# SPEC CPU®2017 Floating Point Rate Result

Copyright 2017-2023 Standard Performance Evaluation Corporation

## Lenovo Global Technology

ThinkSystem SR635  
(2.00 GHz,AMD EPYC 7663P)

SPECrate®2017\_fp\_base = 296

SPECrate®2017\_fp\_peak = 297

CPU2017 License: 9017

Test Sponsor: Lenovo Global Technology

Tested by: Lenovo Global Technology

Test Date: Jul-2023

Hardware Availability: Oct-2023

Software Availability: Jun-2023

## Base Portability Flags (Continued)

```

508.namd_r: -DSPEC_LP64
510.parest_r: -DSPEC_LP64
511.povray_r: -DSPEC_LP64
519.lbm_r: -DSPEC_LP64
521.wrf_r: -DSPEC_CASE_FLAG -Mbyteswapio -DSPEC_LP64
526.blender_r: -funsigned-char -D__BOOL_DEFINED -DSPEC_LP64
527.cam4_r: -DSPEC_CASE_FLAG -DSPEC_LP64
538.imagick_r: -DSPEC_LP64
544.nab_r: -DSPEC_LP64
549.fotonik3d_r: -DSPEC_LP64
554.roms_r: -DSPEC_LP64

```

## Base Optimization Flags

### C benchmarks:

```

-m64 -flto -Wl,-mllvm -Wl,-region-vectorize
-Wl,-mllvm -Wl,-function-specialize
-Wl,-mllvm -Wl,-align-all-nofallthru-blocks=6
-Wl,-mllvm -Wl,-reduce-array-computations=3
-Wl,-mllvm -Wl,-enable-loop-fusion -O3 -march=znver3 -fveclib=AMDLIBM
-ffast-math -fstruct-layout=5 -mllvm -unroll-threshold=50
-mllvm -inline-threshold=1000 -fremap-arrays
-mllvm -function-specialize -flv-function-specialization
-mllvm -enable-gvn-hoist -mllvm -global-vectorize-slp=true
-mllvm -enable-licm-vrp -mllvm -reduce-array-computations=3
-mllvm -enable-loop-fusion -z muldefs -lamdlibm -ljemalloc -lflang

```

### C++ benchmarks:

```

-m64 -std=c++98 -mno-adx -mno-sse4a
-Wl,-mllvm -Wl,-x86-use-vzeroupper=false -flto
-Wl,-mllvm -Wl,-region-vectorize -Wl,-mllvm -Wl,-function-specialize
-Wl,-mllvm -Wl,-align-all-nofallthru-blocks=6
-Wl,-mllvm -Wl,-reduce-array-computations=3
-Wl,-mllvm -Wl,-enable-loop-fusion -O3 -march=znver3 -fveclib=AMDLIBM
-ffast-math -mllvm -enable-partial-unswitch
-mllvm -unroll-threshold=100 -finline-aggressive
-flv-function-specialization -mllvm -loop-unswitch-threshold=200000
-mllvm -reroll-loops -mllvm -aggressive-loop-unswitch
-mllvm -extra-vectorizer-passes -mllvm -reduce-array-computations=3
-mllvm -global-vectorize-slp=true -mllvm -convert-pow-exp-to-int=false
-mllvm -enable-loop-fusion -z muldefs -lamdlibm -ljemalloc -lflang

```

### Fortran benchmarks:

```

-m64 -Wl,-mllvm -Wl,-enable-X86-prefetching

```

(Continued on next page)



# SPEC CPU®2017 Floating Point Rate Result

Copyright 2017-2023 Standard Performance Evaluation Corporation

## Lenovo Global Technology

ThinkSystem SR635  
(2.00 GHz,AMD EPYC 7663P)

SPECrate®2017\_fp\_base = 296

SPECrate®2017\_fp\_peak = 297

**CPU2017 License:** 9017

**Test Sponsor:** Lenovo Global Technology

**Tested by:** Lenovo Global Technology

**Test Date:** Jul-2023

**Hardware Availability:** Oct-2023

**Software Availability:** Jun-2023

## Base Optimization Flags (Continued)

Fortran benchmarks (continued):

```
-Wl,-mllvm -Wl,-enable-licm-vrp -flto -Wl,-mllvm -Wl,-region-vectorize
-Wl,-mllvm -Wl,-function-specialize
-Wl,-mllvm -Wl,-align-all-nofallthru-blocks=6
-Wl,-mllvm -Wl,-reduce-array-computations=3
-Wl,-mllvm -Wl,-enable-loop-fusion -Hz,1,0x1 -O3 -march=znver3
-fveclib=AMDLIBM -ffast-math -Kieee -Mrecursive
-mllvm -fuse-tile-inner-loop -funroll-loops
-mllvm -extra-vectorizer-passes -mllvm -lsr-in-nested-loop
-mllvm -enable-licm-vrp -mllvm -reduce-array-computations=3
-mllvm -global-vectorize-slp=true -mllvm -enable-loop-fusion
-mllvm -enable-loopinterchange -mllvm -compute-interchange-order
-z muldefs -lamdlibm -ljemalloc -lflang
```

Benchmarks using both Fortran and C:

```
-m64 -Wl,-mllvm -Wl,-enable-X86-prefetching
-Wl,-mllvm -Wl,-enable-licm-vrp -flto -Wl,-mllvm -Wl,-region-vectorize
-Wl,-mllvm -Wl,-function-specialize
-Wl,-mllvm -Wl,-align-all-nofallthru-blocks=6
-Wl,-mllvm -Wl,-reduce-array-computations=3
-Wl,-mllvm -Wl,-enable-loop-fusion -O3 -march=znver3 -fveclib=AMDLIBM
-ffast-math -fstruct-layout=5 -mllvm -unroll-threshold=50
-mllvm -inline-threshold=1000 -fremap-arrays
-mllvm -function-specialize -flv-function-specialization
-mllvm -enable-gvn-hoist -mllvm -global-vectorize-slp=true
-mllvm -enable-licm-vrp -mllvm -reduce-array-computations=3
-mllvm -enable-loop-fusion -Hz,1,0x1 -Kieee -Mrecursive
-mllvm -fuse-tile-inner-loop -funroll-loops
-mllvm -extra-vectorizer-passes -mllvm -lsr-in-nested-loop
-mllvm -enable-loopinterchange -mllvm -compute-interchange-order
-z muldefs -lamdlibm -ljemalloc -lflang
```

Benchmarks using both C and C++:

```
-m64 -std=c++98 -mno-adx -mno-sse4a
-Wl,-mllvm -Wl,-x86-use-vzeroupper=false -flto
-Wl,-mllvm -Wl,-region-vectorize -Wl,-mllvm -Wl,-function-specialize
-Wl,-mllvm -Wl,-align-all-nofallthru-blocks=6
-Wl,-mllvm -Wl,-reduce-array-computations=3
-Wl,-mllvm -Wl,-enable-loop-fusion -O3 -march=znver3 -fveclib=AMDLIBM
-ffast-math -fstruct-layout=5 -mllvm -unroll-threshold=50
-mllvm -inline-threshold=1000 -fremap-arrays
-mllvm -function-specialize -flv-function-specialization
-mllvm -enable-gvn-hoist -mllvm -global-vectorize-slp=true
-mllvm -enable-licm-vrp -mllvm -reduce-array-computations=3
-mllvm -enable-loop-fusion -mllvm -enable-partial-unswitch
-mllvm -unroll-threshold=100 -finline-aggressive
```

(Continued on next page)



# SPEC CPU®2017 Floating Point Rate Result

Copyright 2017-2023 Standard Performance Evaluation Corporation

## Lenovo Global Technology

ThinkSystem SR635  
(2.00 GHz,AMD EPYC 7663P)

SPECrate®2017\_fp\_base = 296

SPECrate®2017\_fp\_peak = 297

**CPU2017 License:** 9017

**Test Sponsor:** Lenovo Global Technology

**Tested by:** Lenovo Global Technology

**Test Date:** Jul-2023

**Hardware Availability:** Oct-2023

**Software Availability:** Jun-2023

## Base Optimization Flags (Continued)

Benchmarks using both C and C++ (continued):

```
-mllvm -loop-unswitch-threshold=200000 -mllvm -reroll-loops
-mllvm -aggressive-loop-unswitch -mllvm -extra-vectorizer-passes
-mllvm -convert-pow-exp-to-int=false -z muldefs -lamdlibm -ljemalloc
-lflang
```

Benchmarks using Fortran, C, and C++:

```
-m64 -std=c++98 -mno-adx -mno-sse4a
-Wl,-mllvm -Wl,-x86-use-vzeroupper=false -flto
-Wl,-mllvm -Wl,-region-vectorize -Wl,-mllvm -Wl,-function-specialize
-Wl,-mllvm -Wl,-align-all-nofallthru-blocks=6
-Wl,-mllvm -Wl,-reduce-array-computations=3
-Wl,-mllvm -Wl,-enable-loop-fusion -O3 -march=znver3 -fveclib=AMDLIBM
-ffast-math -fstruct-layout=5 -mllvm -unroll-threshold=50
-mllvm -inline-threshold=1000 -fremap-arrays
-mllvm -function-specialize -flv-function-specialization
-mllvm -enable-gvn-hoist -mllvm -global-vectorize-slp=true
-mllvm -enable-licm-vrp -mllvm -reduce-array-computations=3
-mllvm -enable-loop-fusion -mllvm -enable-partial-unswitch
-mllvm -unroll-threshold=100 -finline-aggressive
-mllvm -loop-unswitch-threshold=200000 -mllvm -reroll-loops
-mllvm -aggressive-loop-unswitch -mllvm -extra-vectorizer-passes
-mllvm -convert-pow-exp-to-int=false -Hz,1,0x1 -Kieee -Mrecursive
-mllvm -fuse-tile-inner-loop -funroll-loops -mllvm -lsr-in-nested-loop
-mllvm -enable-loopinterchange -mllvm -compute-interchange-order
-z muldefs -lamdlibm -ljemalloc -lflang
```

## Base Other Flags

C benchmarks:

```
-Wno-unused-command-line-argument
```

C++ benchmarks:

```
-Wno-unused-command-line-argument
```

Fortran benchmarks:

```
-Wno-unused-command-line-argument
```

Benchmarks using both Fortran and C:

```
-Wno-unused-command-line-argument
```

Benchmarks using both C and C++:

```
-Wno-unused-command-line-argument
```

(Continued on next page)



# SPEC CPU®2017 Floating Point Rate Result

Copyright 2017-2023 Standard Performance Evaluation Corporation

**Lenovo Global Technology**

ThinkSystem SR635  
(2.00 GHz,AMD EPYC 7663P)

SPECrate®2017\_fp\_base = 296

SPECrate®2017\_fp\_peak = 297

**CPU2017 License:** 9017

**Test Sponsor:** Lenovo Global Technology

**Tested by:** Lenovo Global Technology

**Test Date:** Jul-2023

**Hardware Availability:** Oct-2023

**Software Availability:** Jun-2023

## Base Other Flags (Continued)

Benchmarks using Fortran, C, and C++:

-Wno-unused-command-line-argument

## Peak Compiler Invocation

C benchmarks:

clang

C++ benchmarks:

clang++

Fortran benchmarks:

flang

Benchmarks using both Fortran and C:

flang clang

Benchmarks using both C and C++:

clang++ clang

Benchmarks using Fortran, C, and C++:

clang++ clang flang

## Peak Portability Flags

Same as Base Portability Flags

## Peak Optimization Flags

C benchmarks:

519.lbm\_r: basepeak = yes

538.imagick\_r: basepeak = yes

544.nab\_r: basepeak = yes

C++ benchmarks:

(Continued on next page)



# SPEC CPU®2017 Floating Point Rate Result

Copyright 2017-2023 Standard Performance Evaluation Corporation

## Lenovo Global Technology

ThinkSystem SR635  
(2.00 GHz,AMD EPYC 7663P)

SPECrate®2017\_fp\_base = 296

SPECrate®2017\_fp\_peak = 297

CPU2017 License: 9017

Test Sponsor: Lenovo Global Technology

Tested by: Lenovo Global Technology

Test Date: Jul-2023

Hardware Availability: Oct-2023

Software Availability: Jun-2023

## Peak Optimization Flags (Continued)

```
508.namd_r: -m64 -std=c++98 -mno-adx -mno-sse4a
-Wl,-mllvm -Wl,-x86-use-vzeroupper=false
-Wl,-mllvm -Wl,-enable-licm-vrp -flto
-Wl,-mllvm -Wl,-function-specialize
-Wl,-mllvm -Wl,-align-all-nofallthru-blocks=6
-Wl,-mllvm -Wl,-reduce-array-computations=3 -Ofast
-march=znver3 -fveclib=AMDLIBM -ffast-math
-finline-aggressive -mllvm -unroll-threshold=100
-flv-function-specialization -mllvm -enable-licm-vrp
-mllvm -reroll-loops -mllvm -aggressive-loop-unswitch
-mllvm -reduce-array-computations=3
-mllvm -global-vectorize-slp=true -lamdlibm -ljemalloc
```

```
510.parest_r: -m64 -std=c++98 -mno-adx -mno-sse4a
-Wl,-mllvm -Wl,-x86-use-vzeroupper=false
-Wl,-mllvm -Wl,-enable-licm-vrp -flto
-Wl,-mllvm -Wl,-suppress-fmas
-Wl,-mllvm -Wl,-function-specialize -Ofast -march=znver3
-fveclib=AMDLIBM -ffast-math -finline-aggressive
-mllvm -unroll-threshold=100 -flv-function-specialization
-mllvm -enable-licm-vrp -mllvm -reroll-loops
-mllvm -aggressive-loop-unswitch
-mllvm -reduce-array-computations=3
-mllvm -global-vectorize-slp=true -lamdlibm -ljemalloc
```

Fortran benchmarks:

503.bwaves\_r: basepeak = yes

```
549.fotonik3d_r: -m64 -Wl,-mllvm -Wl,-enable-X86-prefetching
-Wl,-mllvm -Wl,-enable-licm-vrp -flto
-Wl,-mllvm -Wl,-function-specialize
-Wl,-mllvm -Wl,-align-all-nofallthru-blocks=6
-Wl,-mllvm -Wl,-reduce-array-computations=3 -Ofast
-march=znver3 -fveclib=AMDLIBM -ffast-math -Kieee
-Mrecursive -mllvm -reduce-array-computations=3
-mllvm -global-vectorize-slp=true -mllvm -enable-licm-vrp
-lamdlibm -ljemalloc -lflang
```

554.roms\_r: basepeak = yes

Benchmarks using both Fortran and C:

521.wrf\_r: basepeak = yes

(Continued on next page)



# SPEC CPU®2017 Floating Point Rate Result

Copyright 2017-2023 Standard Performance Evaluation Corporation

Lenovo Global Technology

SPECrate®2017\_fp\_base = 296

ThinkSystem SR635  
(2.00 GHz,AMD EPYC 7663P)

SPECrate®2017\_fp\_peak = 297

CPU2017 License: 9017

Test Date: Jul-2023

Test Sponsor: Lenovo Global Technology

Hardware Availability: Oct-2023

Tested by: Lenovo Global Technology

Software Availability: Jun-2023

## Peak Optimization Flags (Continued)

```
527.cam4_r: -m64 -Wl,-mllvm -Wl,-enable-X86-prefetching
-Wl,-mllvm -Wl,-enable-licm-vrp -flto
-Wl,-mllvm -Wl,-function-specialize
-Wl,-mllvm -Wl,-force-vector-interleave=1 -Ofast
-march=znver3 -fveclib=AMDLIBM -ffast-math
-fstruct-layout=7 -mllvm -unroll-threshold=50
-freemap-arrays -flv-function-specialization
-mllvm -inline-threshold=1000 -mllvm -enable-gvn-hoist
-mllvm -global-vectorize-slp=true
-mllvm -function-specialize -mllvm -enable-licm-vrp
-mllvm -reduce-array-computations=3 -O3 -funroll-loops
-mllvm -extra-vectorizer-passes -mllvm -lsr-in-nested-loop
-Mrecursive -Hz,1,0x1 -mllvm -enable-loopinterchange
-mllvm -compute-interchange-order -lamdlibm -ljemalloc
-lflang
```

Benchmarks using both C and C++:

```
-m64 -std=c++98 -mno-adx -mno-sse4a
-Wl,-mllvm -Wl,-x86-use-vzeroupper=false -Wl,-mllvm -Wl,-enable-licm-vrp
-flto -Wl,-mllvm -Wl,-function-specialize
-Wl,-mllvm -Wl,-align-all-nofallthru-blocks=6
-Wl,-mllvm -Wl,-reduce-array-computations=3 -Ofast -march=znver3
-fveclib=AMDLIBM -ffast-math -fstruct-layout=7
-mllvm -unroll-threshold=50 -freemap-arrays -flv-function-specialization
-mllvm -inline-threshold=1000 -mllvm -enable-gvn-hoist
-mllvm -global-vectorize-slp=true -mllvm -function-specialize
-mllvm -enable-licm-vrp -mllvm -reduce-array-computations=3
-finline-aggressive -mllvm -unroll-threshold=100 -mllvm -reroll-loops
-mllvm -aggressive-loop-unswitch -lamdlibm -ljemalloc
```

Benchmarks using Fortran, C, and C++:

```
-m64 -std=c++98 -mno-adx -mno-sse4a
-Wl,-mllvm -Wl,-x86-use-vzeroupper=false -Wl,-mllvm -Wl,-enable-licm-vrp
-flto -Wl,-mllvm -Wl,-function-specialize
-Wl,-mllvm -Wl,-align-all-nofallthru-blocks=6
-Wl,-mllvm -Wl,-reduce-array-computations=3 -Ofast -march=znver3
-fveclib=AMDLIBM -ffast-math -fstruct-layout=7
-mllvm -unroll-threshold=50 -freemap-arrays -flv-function-specialization
-mllvm -inline-threshold=1000 -mllvm -enable-gvn-hoist
-mllvm -global-vectorize-slp=true -mllvm -function-specialize
-mllvm -enable-licm-vrp -mllvm -reduce-array-computations=3
-mllvm -unroll-threshold=100 -mllvm -loop-unswitch-threshold=200000
-finline-aggressive -mllvm -reroll-loops
-mllvm -aggressive-loop-unswitch -mllvm -extra-vectorizer-passes
-mllvm -convert-pow-exp-to-int=false -Mrecursive -lamdlibm -ljemalloc
-lflang
```





# SPEC CPU®2017 Floating Point Rate Result

Copyright 2017-2023 Standard Performance Evaluation Corporation

**Lenovo Global Technology**

ThinkSystem SR635  
(2.00 GHz,AMD EPYC 7663P)

SPECrate®2017\_fp\_base = 296

SPECrate®2017\_fp\_peak = 297

**CPU2017 License:** 9017

**Test Sponsor:** Lenovo Global Technology

**Tested by:** Lenovo Global Technology

**Test Date:** Jul-2023

**Hardware Availability:** Oct-2023

**Software Availability:** Jun-2023

## Peak Other Flags

C benchmarks:

-Wno-unused-command-line-argument

C++ benchmarks:

-Wno-unused-command-line-argument

Fortran benchmarks:

-Wno-unused-command-line-argument

Benchmarks using both Fortran and C:

-Wno-unused-command-line-argument

Benchmarks using both C and C++:

-Wno-unused-command-line-argument

Benchmarks using Fortran, C, and C++:

-Wno-unused-command-line-argument

The flags files that were used to format this result can be browsed at

<http://www.spec.org/cpu2017/flags/Lenovo-Platform-SPECcpu2017-Flags-V1.2-Genoa-S.html>

<http://www.spec.org/cpu2017/flags/aocc320-flags-A1.html>

You can also download the XML flags sources by saving the following links:

<http://www.spec.org/cpu2017/flags/Lenovo-Platform-SPECcpu2017-Flags-V1.2-Genoa-S.xml>

<http://www.spec.org/cpu2017/flags/aocc320-flags-A1.xml>

SPEC CPU and SPECrate are registered trademarks of the Standard Performance Evaluation Corporation. All other brand and product names appearing in this result are trademarks or registered trademarks of their respective holders.

For questions about this result, please contact the tester. For other inquiries, please contact [info@spec.org](mailto:info@spec.org).

Tested with SPEC CPU®2017 v1.1.9 on 2023-07-18 21:52:06-0400.

Report generated on 2023-08-16 14:21:04 by CPU2017 PDF formatter v6716.

Originally published on 2023-08-15.